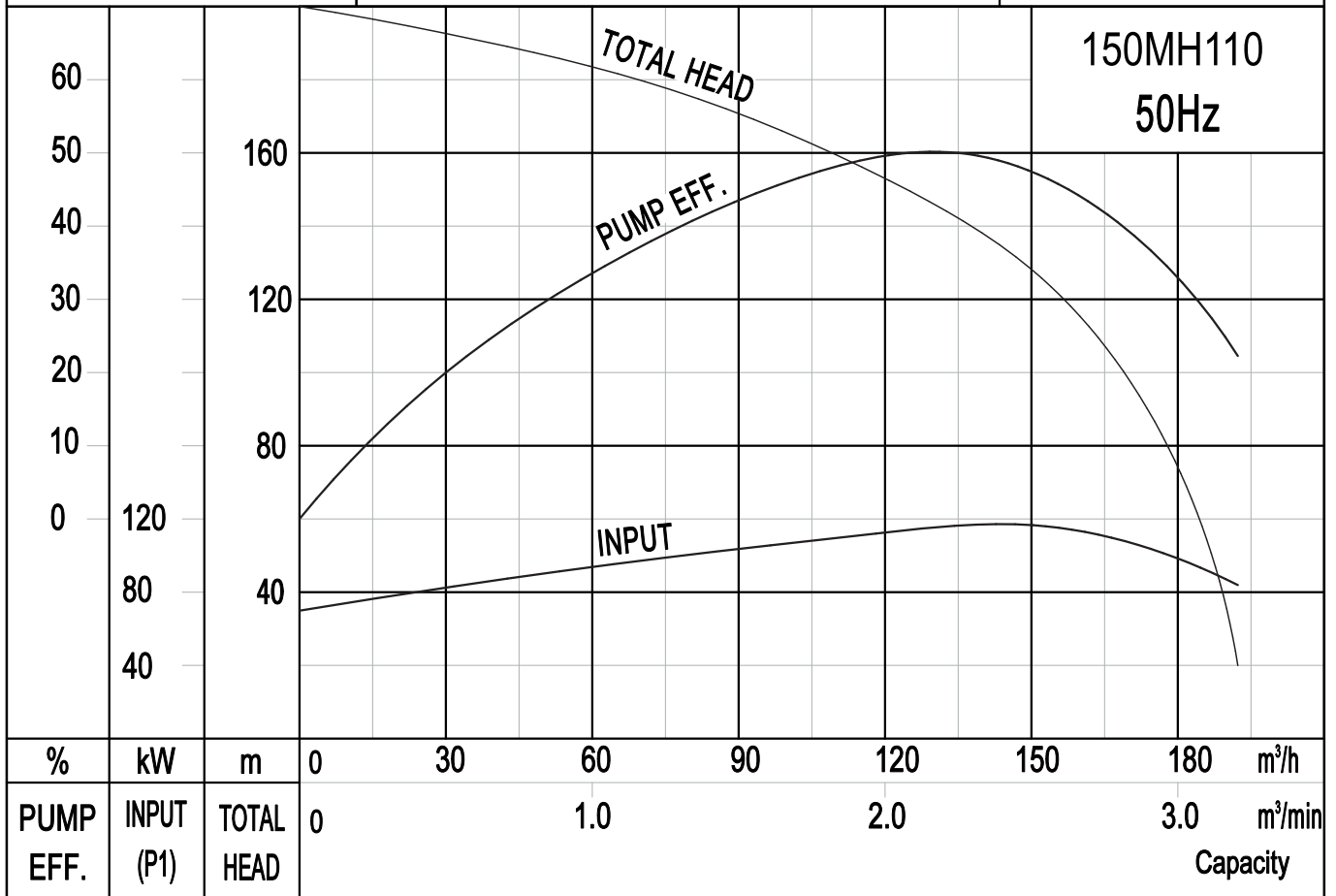


PUMP PERFORMANCE CURVES

TYPE: SUBMERSIBLE PUMP		MODEL:150MH110	FREQUENCY: 50Hz
STANDARD SPECIFICATIONS			
DISCHARGE BORE	150 mm		
HEAD	Max: 200 m	Rated: 150 m	
CAPACITY	Max: 3.2 m ³ /min	Rated: 2.0 m ³ /min	
MOTOR OUTPUT	110 kW		
PHASE x VOLTAGE	3 Øx 400 V		
CURRENT	198 A		
POLES/REVOLUTION	2 P/ S.S.2850 min ⁻¹		
STARTING METHOD	Stae-Delta start		
INSULATION CLASS	F		

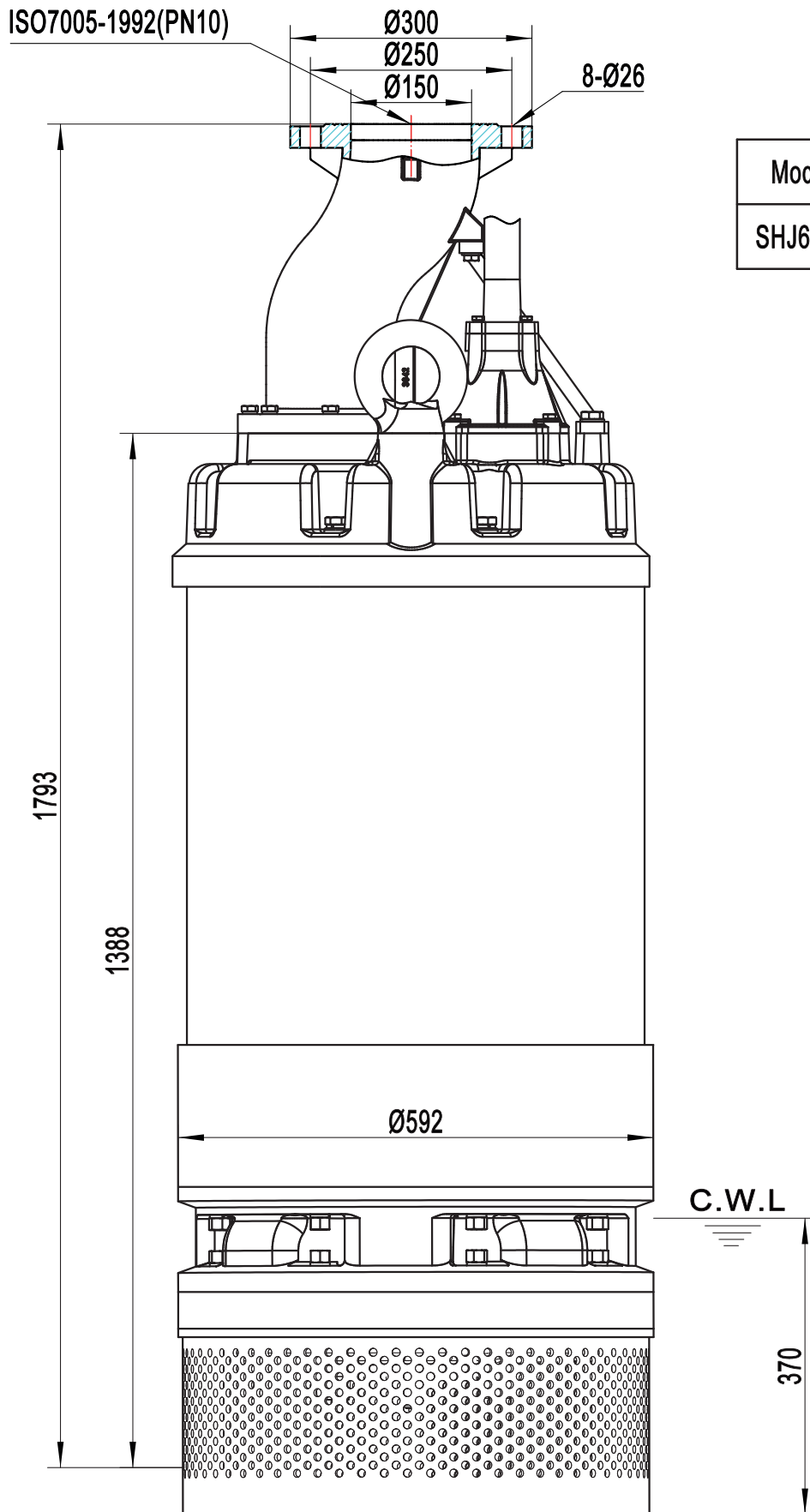


SOLIDPUMP EUROPE SIA

DIMENSION DRAWING

TYPE: SUBMERSIBLE DRAINAGE PUMP(HIGH HEAD)

MODEL: 150MH110



Model	N.W(kg)
SHJ6110	1250

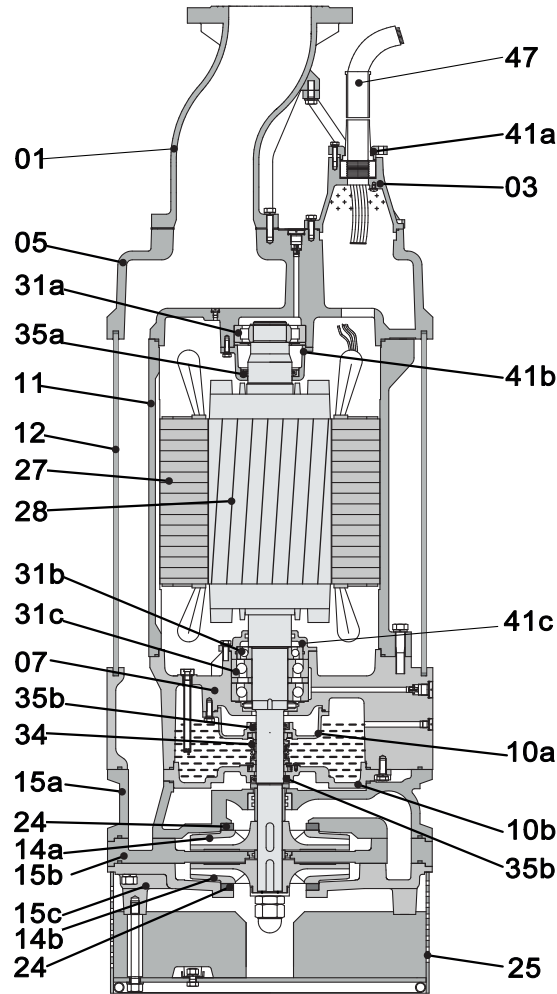
C.W.L:Continuous Running Water Level.

SOLIDPUMP EUROPE SIA

SECTIONAL DRAWING

TYPE: SUBMERSIBLE DRAINAGE PUMP(HIGH HEAD)

MODEL: 150MH110



Item No.	Part name	Material	Item No.	Part name	Material
01	Hose coupling	Ductile iron	25	Strainer	AISI304SS
03	Terminal box	Cast iron	27	Stator	
05	Upper cover	Cast iron	28	Rotor	Shaft:AISI420SS
07	Bearing house	Cast iron	31a	Bearing	Cylindrical roller bearing
10a	Seal bracket	Cast iron	31b	Bearing	Angular contact bearing
10b	Seal bracket	Cast iron	31c	Bearing	Angular contact bearing
11	Motor body	Cast iron	34	Mechanical seal	Tc-Sic/Sic-Sic
12	Outer casing	Steel	35a	Oil seal	
14a	Impeller	High chrome alloy	35b	Oil seal	
14b	Impeller	High chrome alloy	41a	Shim	Cast iron
15a	Diffuser	Ductile iron	41b	Shim	Cast iron
15b	Diffuser	Ductile iron	41c	Shim	Cast iron
15c	Diffuser	Ductile iron	47	Cable	
24	Neck ring	High chrome alloy			

Specifications can be changed without notice

Solidpump Europe SIA

Uriekstes iela 14a

Rīga, LV-1005

LATVIA

Tel.: + 371 66164228

E-mail: info@solidpump.com

www.solidpump.com

SOLIDPUMP EUROPE SIA